

Melody

MODEL: WE2688Signature

Owner's Manual

Model: WE2688SIGNATURE

preface:

Thank you very much for using the WE2688Signature vacuum tube Integrated amplifier.

MELODY HIFI products are designed and manufactured with a high standard concept to ensure high quality sound regeneration and long service life. To ensure that you enjoy the highest quality of MELODY brand equipment. Before you install or attempt to operate this device, please read and understand the following instructions carefully. Familiarity with the product and its correct operating procedures will help you ensure maximum music enjoyment and reliable operation.

packing

Keep all packaging in a dry place for future maintenance or moving of your equipment. The original packaging can save your investment and cause unnecessary damage and cost.

Unpacking

The WE2688signature is a very exquisite equipment, packed in two layers of cartons inside and outside. Please check the packing case carefully for damage, damage or wet marks before unpacking. The pure cotton gloves provided in the packing box are to prevent fingerprints on the surface of the equipment and the hand slipping during handling. "Melody" products are very heavy. When you carry them, it must be done by two or more people.

The accessories in the box are as follows:

- One instruction manual
- One power cord
- Two spare safety fuse
- One warranty card
- One glove
- One remote control

Warning

In order to reduce the risk of electric shock, do not remove the bottom cover of the chassis. To avoid fire and electric shock hazards, do not let the equipment get wet or damp. If maintenance is needed, please ask qualified maintenance personnel or send them to local dealers repair one

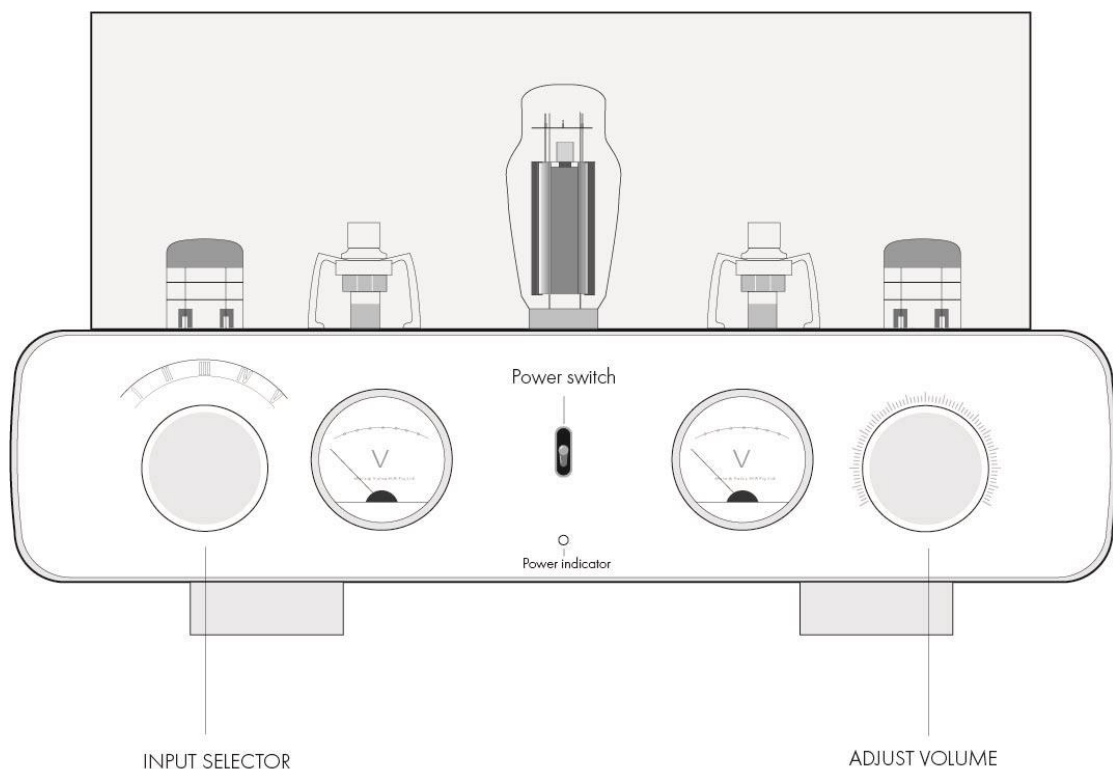
Model: WE2688SIGNATURE

Preparation before use

Your we2688signature pre-amplifier and vacuum tube are packed in sponge. These sponges that protect the vacuum tubes must be removed before you attempt to operate the amplifier.

Front panel function description

- Power indicator: LED (yellow)
- **When the machine is turned on, the indicator light is yellow**
- Power switch on / off (in front of the machine)
- **It is used to turn on and off the amplifier power supply**
- Transfer switch: I II III IV V
- **It is used to select the sound source, and five channels of sound source input can be selected.**
- volume control knob
- **This knob can control the volume of the sound. The volume is gradually increased by turning it clockwise, and the volume is gradually increased by turning it anticlockwise Gradually decrease.**



Warm tips: MELODY company reminds you not to blindly pursue perfect sound quality, 24 hours a day. This method is not suitable for vacuum tube amplifier. Because the service life of the electronic tube is only 2000 hours, equivalent to 84 days

Model: WE2688SIGNATURE

connect

Function description

- There are 4 groups of signal input terminals (represented by numbers 1, 2, 3 and 4)
For input source

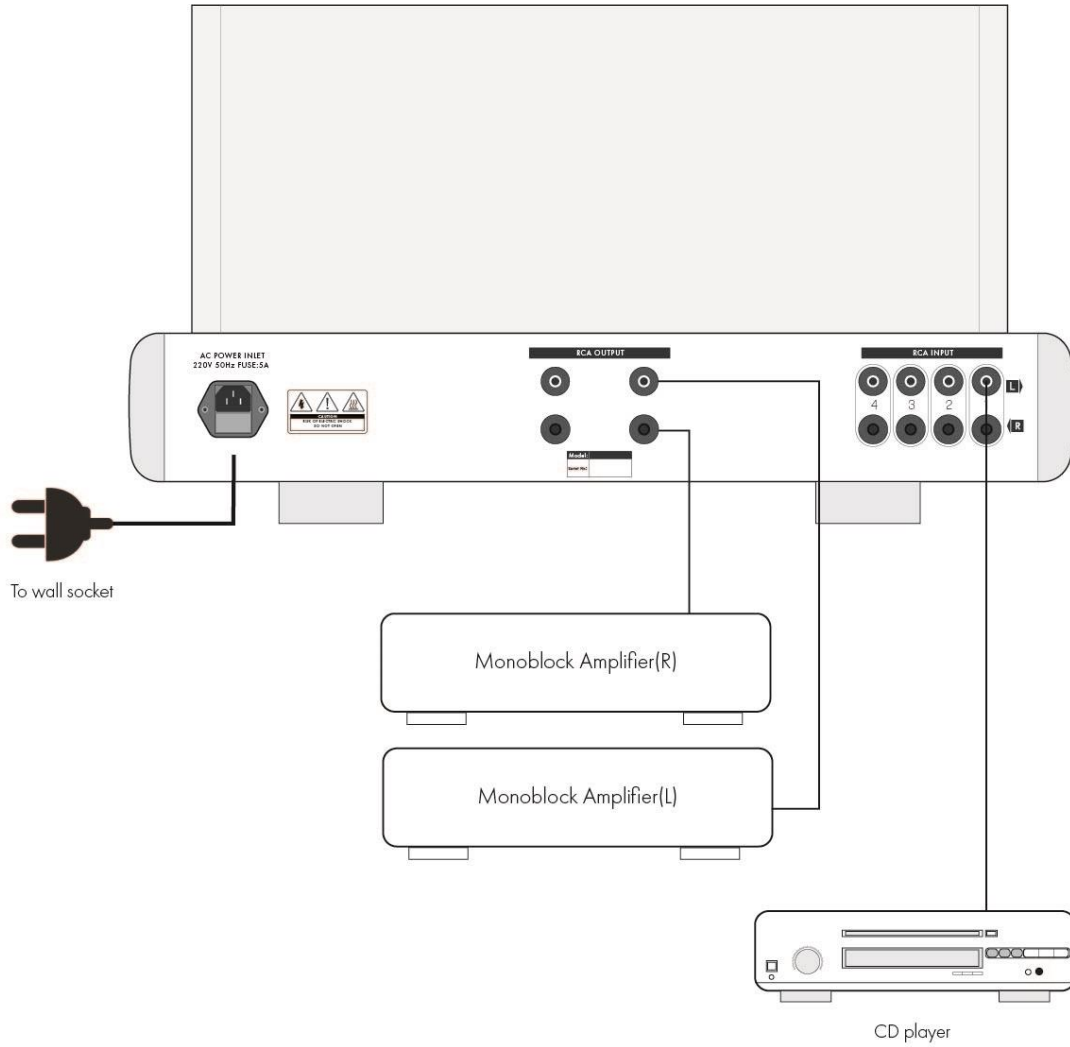
- two groups of mono block amplifier , (left and right channels)

- One power input socket, fuse holder

AC 230V ~ power supply voltage is input from this, and a fuse is installed in the fuse holder. Please use the same specification fuse when replacing the fuse.

Model: WE2688SIGNATURE

Connection diagram



Model: WE2688SIGNATURE

install

Place the we2688signature on a stable surface that can bear its weight, and always ensure that the equipment works in a dry and ventilated environment. If the equipment is placed on the equipment rack, make sure that sufficient air flow is provided and the surrounding operating temperature should not exceed 49°C. There should be at least 12 inches of unrestricted ventilation in the upper and lower spaces. We do not recommend running the device in a closed cabinet.

Operation instructions

- Before starting the machine, please check again to make sure that your system connection is correct.
- Before starting the machine, please confirm again whether your input power supply voltage is equal to the input power supply provided by this device The pressure is the same.
- After confirming that there is no error, you can turn on the power switch button from "off" to "on", The indicator light will be yellow. Indicates that the machine is working normally. (Note: if the indicator light is not on, turn off the power switch to "off" and check whether the fuse is blown. If the fuse is blown out, please reinstall it with the spare fuse provided by us, otherwise contact the dealer or our company).
- After your sound source works normally, you can enjoy high-quality music by selecting the correct channel and adjusting the volume control knob to the appropriate volume. After an hour, your system will be at its best.

Safety instructions

- **Never disassemble or disassemble the equipment without permission, so as to avoid contact with dangerous voltage, even when the equipment is off. To prevent failure, please contact the nearest**
- **don't try to change any component of the equipment. The equipment has been inspected and tested by professional laboratory before delivery and has been adjusted to the best operation mode.**
- **At high temperature, the vacuum tube will emit heat:**
 1. Do not touch the vacuum tube to avoid serious burns.
 2. Do not expose vacuum tubes to moisture. Any droplet will cause tube burst damage or equipment spark.
 3. Do not keep the device out of reach of children and pets.
- the device away from any heat source or flammable chemicals.
- the equipment in use must correspond to the voltage for your country. Do not attempt to change components to apply to others Voltage. The switch of the equipment should be in the state of off when not in use for a long time or in thunderstorm.
- If smoke, fire, abnormal sound or smell occurs, please turn off the power switch immediately
Note: 1. Do not unplug and plug signal wires or horn wires when your sound system is working, so as not to damage the unit and other equipment. 2. After turning off the power switch, the power switch should be turned on after an interval of 5 minutes to avoid damaging the vacuum tube Contact dealers or MELODY.

Model: WE2688SIGNATURE

Cleaning and maintenance

- must cut off power supply when maintenance. ◦
- be used for Aluminum alloy surface clean. Please use soft cotton cloth when wiping, no It will scratch the surface of the equipment.
- Pu painting surface cleaning car wax water used for cleaning. Please use soft cotton cloth when wiping, Otherwise it will scratch the surface of the equipment.
- to avoid using any kind of thinner, alcohol, or other volatile liquid to wipe. Because they are It can damage the surface layer and cause spots on the surface to affect the aesthetics of the equipment.

The warranty

- the equipment warranty period is two years. (Vacuum tube is guaranteed for six months)
- within the period of responsibility, the company ensure the quality of products under the normal use of maintenance of the problem. conditions It was licensed for repair and shipped to the warranty or back to MELODY.
- if you do not get the company allowed to open the machine, the warranty commitment.
-

Note: Information in this manual is subject to change without prior notice

Model: WE2688SIGNATURE

Technical Specifications

Output voltage:	3 to 10V
Tubes:	WE416 x2、 WE373 x 2、 274Bx1.
No. of channel :	3Hz ~ 100000Hz
Total Harmonic distortion:	0.02%
Signal to noise ratio:	Greater or Equal \geq 90 dB
Gain :	20dB
Channel balance:	less than <0.5 dB(20Hz to 100000Khz)
Input impedance:	250K ohms
Supply voltage:	$\sim 230V \pm 5\%$, 50Hz
Dimensions:	475X390X245MM(WxDxH)
Net weight:	30KG

Note: For continuous improvement, we reserve the right to change specifications without prior notice.



Melodyhifi (Shenzhen) Co. LTD

Baolong Industrial Zone, Longgang Street, Longgang District, Shenzhen city, Guangdong Province
Floor 6, Building C, New Generation Shuanghuan Information Industry Park, No. 8, Baoqing Road

Zip code: 518116
Telephone: + 0755-89529002
Website: www.melodyhifi.com.au
